

SONANCE 

IN-ROOM SUBWOOFER

D8

Overview

The Sonance D8 subwoofer features two powerful opposable 8" square drivers, wireless connectivity and our SONARC DSP technology, all within a sleek ultra-compact cabinet. *Compatible with SONARC.

Key Features

Aesthetics

- Extruded aluminum enclosure
- Smallest dual 8" subwoofer
- Matte black finish
- Cloth grilles

Performance

- Made to deliver a powerful sound in a small space
- Counter Vibration Control
- Built-in wireless receiver
- 16 bands of automatic EQ

Performance

- Easy set up
- Three connection options
- App driven room correction software



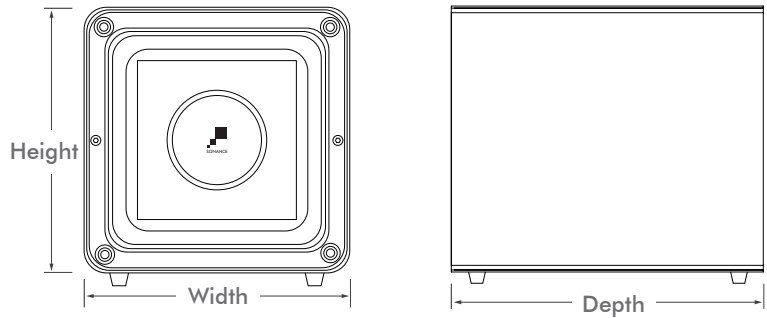
D8



D8 with Grille

Dimensions

Width:	7 1/2" (191mm)
Height:	8" (203mm)
Depth:	9" (229mm)



Specifications

Model:	D8
SKU:	93359
Unit of Measure:	Each
Woofers:	Two 8" (203mm) ultra long throw, glass fiber cone, rubber surround
Frequency Response:	32Hz - 250Hz \pm 3dB
Enclosure Material:	Extruded aluminum with a matte black finish
Power Output:	300 watts RMS (600 watts peak)
Inputs:	Line-level, speaker-level and low latency wireless
Controls:	Crossover, phase and bypass
DSP:	App controlled Sonarc automatic
Grille Material:	in-room equalization
Shipping Weight:	xx lbs (xxxkg)

Recommended Products



Wireless Transmitter

SKU 93360

LIMITED TWO (2) YEAR WARRANTY

Sonance warrants to the first end-user purchaser that this Sonance-brand product ("Product"), when purchased from an authorized Sonance Dealer/Distributor, will be free from defective workmanship and materials for the period stated below. Sonance will, at its option and expense, either repair the defect or replace the Product with a new or remanufactured Product or a reasonable equivalent. **Please visit our website and owner's e-Manual for complete warranty and exclusion information.**



©2017 Sonance. All rights reserved.

Sonance and Visual Performance are registered trademarks of Dana Innovations.

Due to continuous product improvement, all features and specifications are subject to change without notice.

For the latest Sonance product specification information visit our website: www.sonance.com

SONANCE • 991 Calle Amanecer • San Clemente, CA 92673 USA
(949) 492-7777 • FAX: (949) 361-5151 • Technical Support: (949) 492-7777

www.sonance.com